

SFP MODULE SYSTEM PRODUCTS

1.25Gbps SFP Bi-Directional Transceiver 3 - 120km.



FEATURE

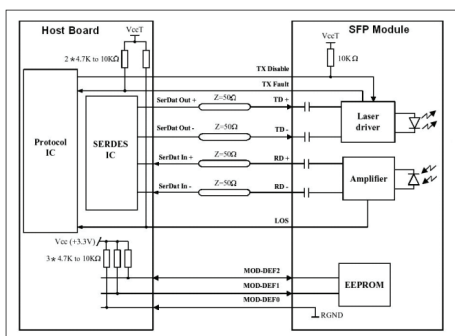
- Dual data-rate of 1.25Gbps/1.063Gbps operation
- Compliant with SFP MSA and SFF-8472 with simplex LC or SC receptacle
- Digital Diagnostic Monitoring: Internal Calibration or External Calibration
- Compatible with SONET OC-24-LR-1
- Compatible with RoHS
- +3.3V single power supply
- Operating case temperature range of 0°C to +70°C (Commercial) or -40°C to +85°C (Industrial)

DESCRIPTION

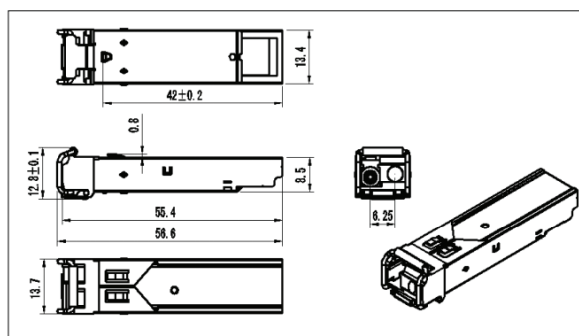
- Class 1 laser product EN 60825-1 standards
- Compliant with SFP MSA and SFF-8472
- Compliant with SDH/SONET
- Single LC or SC connector
- Hot pluggable
- 3.3V Single Power Supply



RECOMMENDED INTERFACE CIRCUIT



MECHANICAL DIMENSIONS



ABSOLUTE MAXIMUM RATINGS

Parameter	Symbol	Min	Max	Unit
Storage Temperature	Ts	-40	+85	°C
Supply Voltage	Vcc	-0.5	4.5	V
Operating Humidity		5	85	%

RECOMMENDED OPERATING CONDITIONS

Parameter	Symbol	Min	Typical	Max	Unit
Operating Case Temperature	Commercial	Tc	0	+70	°C
	Industrial		-40	+85	°C
Power Supply Voltage	Vcc	3.13	3.3	3.47	V
Power Supply Current	Icc			300	mA
Data Rate	Gigabit Ethernet		1.25		Gbps
	Fiber Channel		1.063		Gbps

FOCOMM (THAILAND) CO., LTD

12 Soi Sukhaphiban 5 Soi 5 Yaek 3, Tha Raeng Subdistrict, Bang Khen District Bangkok 10220

Email : info@focomm-cabling.com www.focomm-cabling.com

RECOMMENDED OPERATING CONDITIONS

Feature	Standard	Performance
Electrostatic Discharge (ESD) to the Electrical Pins	MIL-STD-883E Method 3015.7	Class 1 (>500 V) Isolation with the case
Electromagnetic Interference (EMI)	FCC Part 15 Class B	Compatible with standards
Laser Eye Safety	FDA 21CFR 1040.10 and 1040.11	Compatible with Class I laser product.
	EN60950, EN (IEC) 60825-1,2	Compatible with TÜV standards
Component Recognition	UL and CUL	UL file E317337
Green Products	2002/95/EC 2005/618/EC	RoHS6

DESCRIPTION

Model	Rate	Wavelength	Distance	Optical power	Sensitivity
MC-SFP-WDM-SM-0203A	1.25G	TX1310nm	3km	-9~-3dBm	<-21dBm
MC-SFP-WDM-SM-0203B	1.25G	TX1550nm	3km	-9~-3dBm	<-21dBm
MC-SFP-WDM-SM-0220A	1.25G	TX1310nm	20km	-9~-3dBm	<-22dBm
MC-SFP-WDM-SM-0220B	1.25G	TX1550nm	20km	-9~-3dBm	<-22dBm
MC-SFP-WDM-SM-0240A	1.25G	TX1310nm	40km	-5~0dBm	<-23dBm
MC-SFP-WDM-SM-0240B	1.25G	TX1550nm	40km	-5~0dBm	<-23dBm
MC-SFP-WDM-SM-0260A	1.25G	TX1490nm	60km	-2~3dBm	<-24dBm
MC-SFP-WDM-SM-0260B	1.25G	TX1550nm	60km	-2~3dBm	<-24dBm
MC-SFP-WDM-SM-0280A	1.25G	TX1490nm	80km	0~5dBm	<-24dBm
MC-SFP-WDM-SM-0280B	1.25G	TX1550nm	80km	0~5dBm	<-24dBm
MC-SFP-WDM-SM-02120A	1.25G	TX1490nm	120km	0~5dBm	<-32dBm
MC-SFP-WDM-SM-02120B	1.25G	TX1550nm	120km	0~5dBm	<-32dBm

ORDER INFORMATION

PRODUCT	PART NUMBER
Tx1310/Rx1550nm, 1.25Gbps, LC, 3km, 0°C~+70°C	MC-SFP-WDM-SM-0203A
Tx1550/Rx1310nm, 1.25Gbps, LC, 3km, 0°C~+70°C	MC-SFP-WDM-SM-0203B
Tx1310/Rx1550nm, 1.25Gbps, LC, 20km, 0°C~+70°C	MC-SFP-WDM-SM-0220A
Tx1550/Rx1310nm, 1.25Gbps, LC, 20km, 0°C~+70°C	MC-SFP-WDM-SM-0220B
Tx1310/Rx1550nm, 1.25Gbps, LC, 40km, 0°C~+70°C	MC-SFP-WDM-SM-0240A
Tx1550/Rx1310nm, 1.25Gbps, LC, 40km, 0°C~+70°C	MC-SFP-WDM-SM-0240B
Tx1490/Rx1550nm, 1.25Gbps, LC, 60km, 0°C~+70°C	MC-SFP-WDM-SM-0260A
Tx1550/Rx1490nm, 1.25Gbps, LC, 60km, 0°C~+70°C	MC-SFP-WDM-SM-0260B
Tx1490/Rx1550nm, 1.25Gbps, LC, 80km, 0°C~+70°C	MC-SFP-WDM-SM-0280A
Tx1550/Rx1490nm, 1.25Gbps, LC, 80km, 0°C~+70°C	MC-SFP-WDM-SM-0280B
Tx1490/Rx1550nm, 1.25Gbps, LC, 120km, 0°C~+70°C	MC-SFP-WDM-SM-02120A
Tx1550/Rx1490nm, 1.25Gbps, LC, 120km, 0°C~+70°C	MC-SFP-WDM-SM-02120B